

FB42L

Discover the pleasure of performance



- Broad range of control options
- LED work light attachment for better visibility and safety
- Strong and lightweight grapples

Crane FB42L – for small tractors and trailers

FTG Källefäll crane FB42L provides a total reach up to 4.2m and a 500kg lifting capacity at the max reach.

Crane is equipped with a linkage system for an improved movement pattern. FB42L has excellent loading geometry and it is ideal for small tractors and trailers.

As a standard crane FB42L comes with a 3 ton rotator, grapple FB120, 4-cylinder slewing motor, rotator link without pending brake.

Crane has a lifting moment of 25 kNm (gross) and a slewing torque of 4 kNm.

There are numerous valve packages and accessories to choose from.

Crane designed for versatile work applications:

- Forest trailers
- Chippers
- Log splitters
- Attachment to the tractor

FB42L combined with FTG Källefäll forest trailers offers high reliability and efficiency. Demand for maintenance is quite low for high-quality components and tested designs

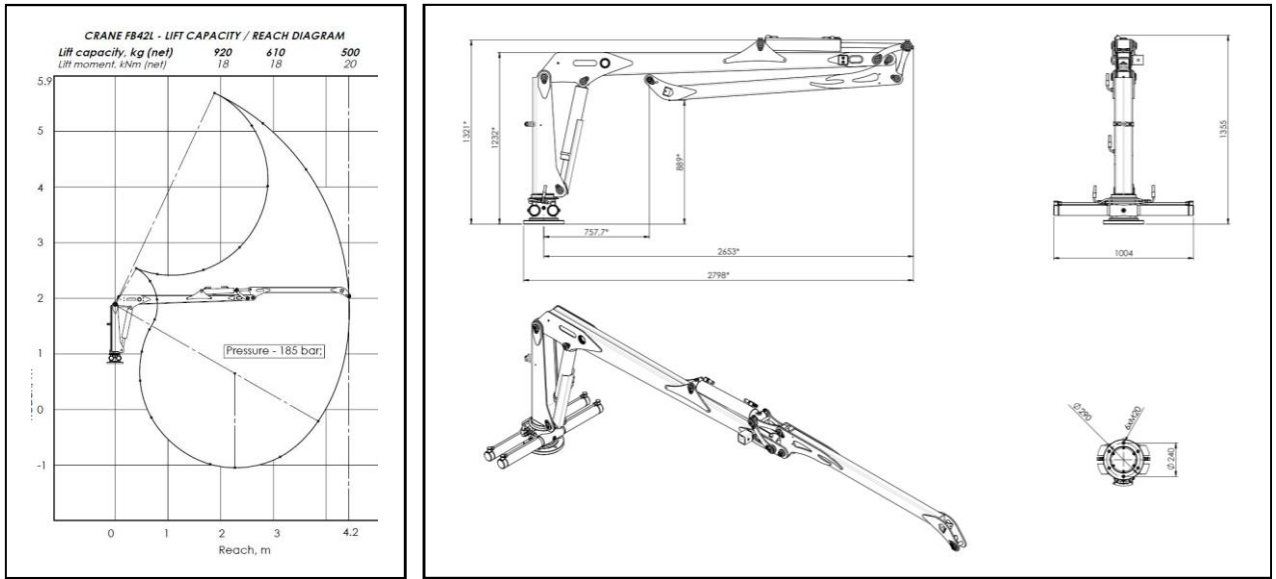
Suitable trailers:

- [FB25D](#)
- [FB40D](#)
- [FB50](#)

Technical characteristics Crane (standard equipment)

<i>Parameter</i>	<i>FB42L</i>	<i>Parameter</i>	<i>FB42L</i>
Reach, m	4,2	Slewing angle, °	360
Linkage system	Yes	Total weight, kg	400
Telescope extension, m	-	Oil flow, l/min	20-30
Lifting moment (gross), kNm	25	Rotator, type	3 t
Lifting moment (Net), kNm	20,4 (4 m)	Rotator link, type	Without pending brake
Lifting capacity at max reach, kg	500	Grapple, type	FB120
Lifting capacity at 4m, kg	520	Valve block, type	Mechanical (2-Lev. / 3-Coord)
Slew torque, kNm	4	Working pressure, bar	185

Technical drawings



FB42L accessories

Control system

Mechanical 2-Lever,
Lightweight, 4 x EL.
On/Off



Radio control
Scanreco®



Winch

FB800 with
remote control

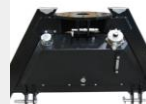


3-P attachment

A-frame type,
CAT. I



Independent
hydraulic system
for 3P attachment



Block valve for
telescopic
support legs



Grapple

Grapple FB160
(0.16 m²)



Brush grapple
FB160S (0.16 m²)



Add-on bucket for
grapple



Other accessories

Protection plate
for lifting cylinder



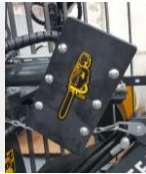
LED work light on
crane boom



LED work light on
crane pillar



Chainsaw holder



Connection of hydr.
hoses on pillar



Shut-off valve for
lifting cylinder



Supply pressure
monometer



Valve block cover



FTG BALTIC UAB

Dūmų st. 3 K20
LT-11119 Vilnius, Lithuania
+370 5 246 23 18
sales.vilnius@ftgforest.com

By combining our Swedish heritage with constant innovation based on the needs of customers, we design forest trailers and cranes that impress by their consistently pleasant performance.

FTG Källefäll forest trailers can pass through challenging terrains and are robustly built to withstand tough conditions in the forest. Trailers' capacity varies from 4 to 12 tones. Our trailers can be supplemented with telescopic cranes, ranging from 4,2 to 9,4 meters reach. Källefäll cranes are strong, fast, and easy to operate. We also offer a wide range of timber grapples and other accessories to meet different needs.

For more information: www.ftgforest.com