

FB51L

Discover the pleasure of performance



- Broad range of control options
- LED work light attachment for better visibility and safety
- Strong and lightweight grapples

Crane FB51L

FTG Källefäll crane FB51L provides a total reach up to 5.1 m and a 640kg lifting capacity at max reach.

Crane is equipped with a linkage system for a greater functionality. Crane has excellent loading geometry and nicely settles into the trailer for transporting position. Strong main crane base provides perfect stability during loading and unloading operations.

Crane FB51L is equipped with a 3 ton rotator, rotator link with pending brake, grapple FB160 by default and ensures a lifting capacity of 39 kNm (gross).

There are numerous valve packages and accessories to choose from. Crane designed for versatile work applications:

- Forest trailers
- Chippers
- Log splitters
- Attachment to the tractor

FB51L combined with FTG Källefäll forest trailers offers high reliability and efficiency. Demand for maintenance is quite low for high-quality components and tested designs

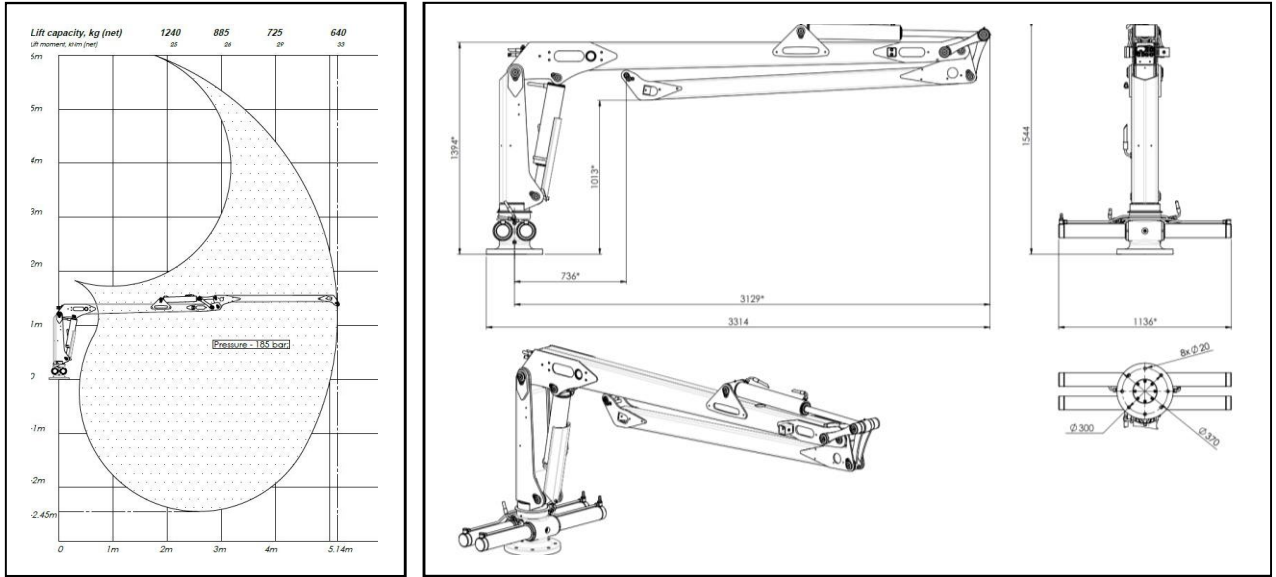
Suitable trailers:

- [FB90](#)
- [FB90-2WD](#)
- [FB90D](#)

Technical characteristics Crane (standard equipment)

<i>Parameter</i>	<i>FB51L</i>	<i>Parameter</i>	<i>FB51L</i>
Reach, m	5,1	Slewing angle, °	360
Linkage system	Yes	Total weight, kg	608
Telescope extension, m	-	Oil flow, l/min	20-30
Lifting moment (gross), kNm	39	Rotator, type	3 t
Lifting moment (Net), kNm	33 (5 m)	Rotator link, type	With pending brake
Lifting capacity at max reach, kg	640	Grapple, type	FB160
Lifting capacity at 4m, kg	725	Valve block, type	Mechanical (2-Lev. / 3-Coord.)
Slew torque, kNm	11	Working pressure, bar	185

Technical drawings



FB51L accessories

Control system

Mechanical
FRV60/8-E, 2 x EL.
On/Off



Mechanical 2-Lever,
Lightweight, 4 x EL.
On/Off



Prehydraulic
FRV60EO with
Joysticks



Full electric with
with ERGO-
DigiStick® Joysticks



Radio control
Scanreco®



Winch

FB800 with radio
control



1410 KPL with
radio control



3-P attachment

A-frame type,
CAT. II



Independent hydr.
system for 3-P
attachment



Block valve for
telescopic
support legs



Grapple

Brush grapple
FB160S (0.16 m²)



Round bale
attachment for
grapple FB160



Grapple FB190
(0.19 m²)



Brush grapple
FB190S (0.19 m²)



Add-on bucket
for grapple



Clamshell
bucket KG180
(0.11 m³)



Other accessories

Protection plate
for lifting cylinder



LED work light on
crane boom



LED work light on
crane pillar



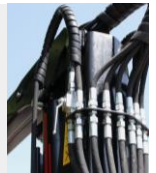
Chainsaw holder



Connection of hydr.
hoses on pillar



Shut-off valve for
lifting cylinder



Supply
pressure
monometer



Valve block
cover



FTG BALTIC UAB

Dūmų st. 3 K20
LT-11119 Vilnius, Lithuania
+370 5 246 23 18
sales.vilnius@ftgforest.com

By combining our Swedish heritage with constant innovation based on the needs of customers, we design forest trailers and cranes that impress by their consistently pleasant performance.

FTG Källefäll forest trailers can pass through challenging terrains and are robustly built to withstand tough conditions in the forest. Trailers' capacity varies from 4 to 12 tones. Our trailers can be supplemented with telescopic cranes, ranging from 4,2 to 9,4 meters reach. Källefäll cranes are strong, fast, and easy to operate. We also offer a wide range of timber grapples and other accessories to meet different needs.

For more information: www.ftgforest.com