

FB53T

Discover the pleasure of performance



- Broad range of control options
- LED work light attachment for better visibility and safety
- Strong and lightweight grapples

Crane FB53T

FTG Källefäll crane FB53T provides a total reach up to 5.3 m and a 510 kg lifting capacity at max reach.

Crane is equipped with a linkage system and a telescopic arm with an internally positioned telescopic cylinder for even higher functionality. Crane has excellent loading geometry and nicely settles into the trailer for transporting position. Strong main crane base provides perfect stability during loading and unloading operations.

Crane FB53T is equipped with a 3 ton rotator, rotator link with pending brake, grapple FB160 by default, ensures a lifting capacity of 32kNm (gross) and slewing torque of

8,5 kNm. There are numerous valve packages and accessories to choose from. Crane designed for versatile work applications:

- Forest trailers
- Chippers
- Log splitters
- Attachment to the tractor

FB53T combined with FTG Källefäll forest trailers offers high reliability and efficiency. Demand for maintenance is quite low for high-quality components and tested designs

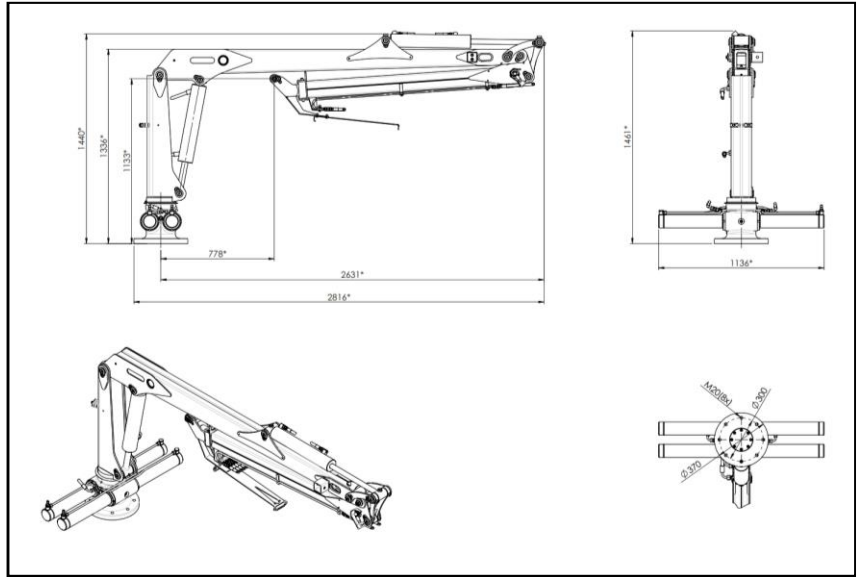
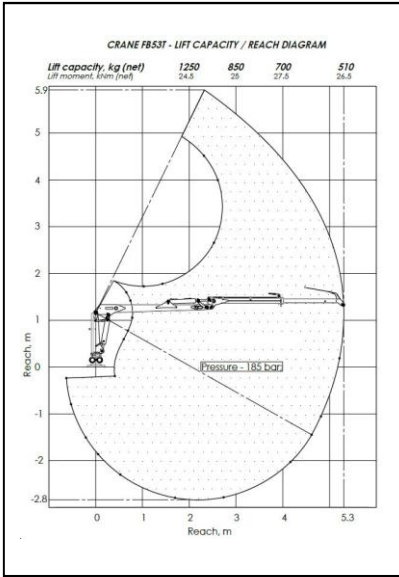
Suitable trailers:

- [FB40D](#)
- [FB60](#)
- [FB70](#)

Technical characteristics Crane (standard equipment)

<i>Parameter</i>	<i>FB53T</i>	<i>Parameter</i>	<i>FB53T</i>
Reach, m	5,3	Slewing angle, °	360
Linkage system	Yes	Total weight, kg	555
Telescope extension, m	1,12	Oil flow, l/min	25-35
Lifting moment (gross), kNm	32	Rotator, type	3 t
Lifting moment (Net), kNm	27 (5 m)	Rotator link, type	With pending brake
Lifting capacity at max reach, kg	510	Grapple, type	FB160
Lifting capacity at 4m, kg	700	Valve block, type	Mechanical (2-Lev. / 3-Coord.)
Slew torque, kNm	8,5	Working pressure, bar	185

Technical drawings



FB53T Accessories

Control system

Mechanical
FRV60/8-E, 2 x EL.
On/Off



Mechanical 2-Lever,
Lightweight, 4 x EL.
On/Off



Prehydraulic
FRV60EO with
Joysticks



Full electric with
with ERGO-
DigiStick® Joysticks



Radio control
Scanreco®



Winch

FB800 with radio
control



1410 KPL with
radio control



3-P attachment

A-frame type,
CAT. I



Independent hydr.
system for 3-P
attachment



Block valve for
telescopic
support legs



Grapple

Brush grapple
FB160S (0.16 m²)



Round bale
attachment for
grapple FB160



Grapple FB190
(0.19 m²)



Brush grapple
FB190S (0.19 m²)



Add-on bucket
for grapple



Other accessories

Protection
plate for lifting
cylinder



LED work light on
crane boom



LED work light
on crane pillar



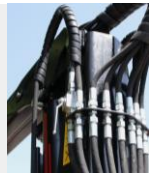
Chainsaw
holder



Connection of
hydr. hoses on
pillar



Shut-off valve
for lifting
cylinder



Supply
pressure
monometer



Valve block
cover



FTG BALTIC UAB

Dūmų st. 3 K20
LT-11119 Vilnius, Lithuania
+370 5 246 23 18
sales.vilnius@ftgforest.com

By combining our Swedish heritage with constant innovation based on the needs of customers, we design forest trailers and cranes that impress by their consistently pleasant performance.

FTG Källefäll forest trailers can pass through challenging terrains and are robustly built to withstand tough conditions in the forest. Trailers' capacity varies from 2,5 to 12 tones. Our trailers can be supplemented with telescopic cranes, ranging from 4,2 to 9,4 meters reach. Källefäll cranes are strong, fast, and easy to operate. We also offer a wide range of timber grapples and other accessories to meet different needs.

For more information: www.ftgforest.com