

FB69T

Discover the pleasure of performance



- Broad range of control options
- LED work light attachment for better visibility and safety
- Strong and lightweight grapples

Crane FB69T

FTG Källefäll crane FB69T provides a total reach up to 6.9 m and a 490kg lifting capacity at the maximum reach.

Crane is equipped with a linkage system and a telescopic arm with an internally positioned telescopic cylinder for even higher functionality. Crane has excellent loading geometry and nicely settles into the trailer for transporting position. Strong main crane base provides perfect stability during loading and unloading operations.

Crane FB69T is equipped with a 3 ton rotator, rotator link with pending brake, grapple FB190 by default and

ensures a lifting moment of 47kNm (gross). There are numerous valve packages and accessories to choose from. Crane designed for versatile work applications:

- Forest trailers
- Chippers
- Log splitters
- Attachment to the tractor

FB69T combined with FTG Källefäll forest trailers offers high reliability and efficiency. Demand for maintenance is quite low for high-quality components and tested designs

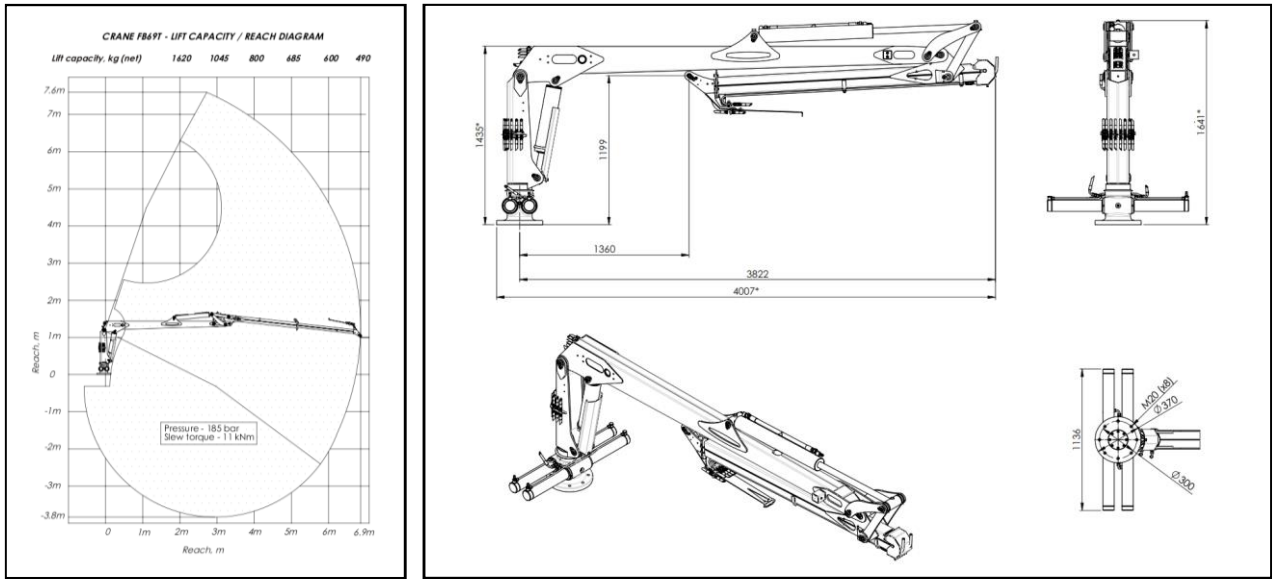
Suitable trailers:

- [FB90](#)
- [FB100](#)
- [FB90-2WD](#)
- [FB100-2WD](#)
- [FB90D](#)
- [FB120D](#)

Technical characteristics Crane (standard equipment)

<i>Parameter</i>	<i>FB69T</i>	<i>Parameter</i>	<i>FB69T</i>
Reach, m	6,9	Slewing angle, °	360
Linkage system	Yes	Total weight, kg	810
Telescope extension, m	1,50	Oil flow, l/min	40-50
Lifting moment (Gross), kNm	47	Rotator, type	3 t
Lifting moment (Net), kNm	37 (6 m)	Rotator link, type	With pending brake
Lifting capacity at max reach, kg	490	Grapple, type	FB190
Lifting capacity at 4m, kg	800	Valve block, type	Mechanical (2-Lev./3-Coord.)
Slew torque, kNm	11	Working pressure, bar	185

Technical drawings



FB69T accessories

Control system

Mechanical
FRV60/8-E, 2 x EL.
On/Off



Mechanical 2-Lever,
Lightweight, 4 x EL.
On/Off



Prehydraulic
FRV60EO with
Joysticks



Full electric with
with ERGO-
DigiStick® Joysticks



Radio control
Scanreco®



Winch

1410 KPL with
radio control



3-Point attachment

A-frame type,
CAT. II



Flap-Down type,
CAT. III



Independent hydr.
system for 3-P
attachment



Block valve for
telescopic
support legs



Grapple

Brush grapple
FB190S (0.19 m²)



Grapple FB190WF
(0.19 m²)



Grapple FB210
(0.21 m²)



Brush grapple
FB210S (0.21 m²)



Grapple FB260
(0.26 m²)



Add-on bucket
for grapple



Other accessories

Protection plate
for lifting cylinder



LED work light on
crane boom



LED work light on
crane pillar



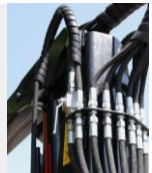
Chainsaw holder



Supply pressure
monometer



Shut-off valve for
lifting cylinder



Valve block
cover



FTG BALTIC UAB

Dūmų st. 3 K20
LT-11119 Vilnius, Lithuania
+370 5 246 23 18
sales.vilnius@ftgforest.com

By combining our Swedish heritage with constant innovation based on the needs of customers, we design forest trailers and cranes that impress by their consistently pleasant performance.

FTG Källefäll forest trailers can pass through challenging terrains and are robustly built to withstand tough grips in the forest. Trailers' capacity varies from 4 to 12 tones. Our trailers can be supplemented with telescopic cranes, ranging from 4,2 to 9,4 meters reach. Källefäll cranes are strong, fast, and easy to operate. We also offer a wide range of timber grapples and other accessories to meet different needs.

For more information: www.ftgforest.com