

# P75T

Discover the pleasure of performance



- Unique parallel movement
- Runs on low oil flow, 60-65% less than a traditional crane
- Easy to control, the crane tip moves in a straight line

# Crane P75T

FTG Källefäll crane P75T provides a total reach up to 7.5 m and a 390 kg lifting capacity at the max reach.

Unique parallel movement that maintains the same lifting moment throughout the range. Only one cylinder is active for this movement.

Runs on low oil flow, 60–65% less than a traditional crane. This makes it possible to reduce the number of revolutions and improve fuel consumption and the environment.

Crane P75T comes standard with 3 ton rotator, FB190WF grapple, rotator link with pending brake, mechanical control, 4 cylinder slewing motor. The forest crane has a

lifting moment of 43 kNm (gross) and a slewing torque of 11 kNm. There are numerous valve packages and accessories to choose from. Crane designed for versatile work applications:

- Forest trailers
- Chippers
- Log splitters
- Attachment to the tractor

P75T combined with FTG Källefäll forest trailers offers high reliability and efficiency. Demand for maintenance is quite low for high-quality components and tested designs.

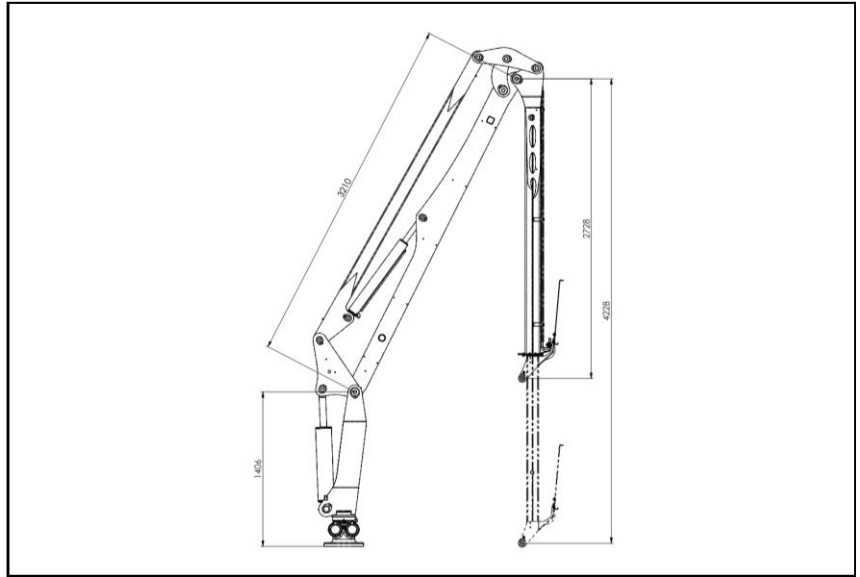
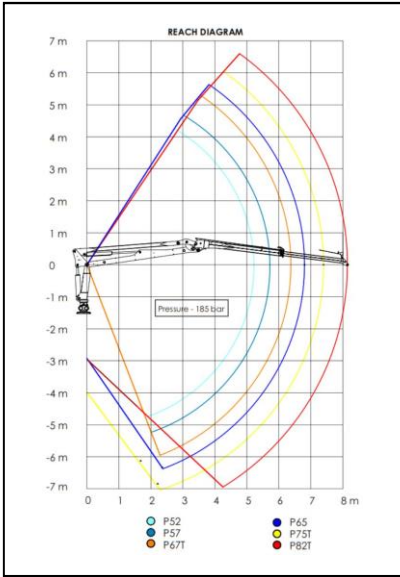
## Suitable trailers:

- [FB90](#)
- [FB100](#)
- [FB90-2WD](#)
- [FB100-2WD](#)
- [FB90D](#)

## Technical characteristics Crane (standard equipment)

<i>Parameter</i>	<i>P75T</i>	<i>Parameter</i>	<i>P75T</i>
Reach, m	7,5	Slewing angle, °	360
Linkage system	Yes	Total weight, kg	900
Telescope extension, m	1,50	Oil flow, l/min	35–40
Lifting moment (gross), kNm	43	Rotator, type	3 t
Lifting moment (Net), kNm	29	Rotator link, type	With pending brake
Lifting capacity at max reach, kg	390	Grapple, type	FB190WF
Lifting capacity at 4m, kg	900	Valve block, type	Mechanical (2–Lev. / 3–Coord.)
Slew torque, kNm	11	Working pressure, bar	185

## Technical drawings



## FB75T accessories

### Control system

Mechanical  
FRV60/8-E, 2 x EL.  
On/Off



Mechanical 2-Lever,  
Lightweight, 4 x EL.  
On/Off



Prehydraulic  
FRV60EO with  
Joysticks



Full electric with  
with ERGO-  
DigiStick® Joysticks



Radio control  
Scanreco®



### Winch

1410 KPL with  
remote control



### 3-P attachment

A-frame type,  
CAT. II



Independent hydr.  
system for 3-P  
attachment



Block valve for telescopic support legs



## Grapple

Grapple FB190  
(0.19 m<sup>2</sup>)



Brush grapple  
FB190S (0.19 m<sup>2</sup>)



Grapple FB210  
(0.21 m<sup>2</sup>)



Brush grapple  
FB210S (0.21 m<sup>2</sup>)



Clamshell  
bucket KG180  
(0.11 m<sup>3</sup>)



Add-on bucket for  
grapple



## Other accessories

Chainsaw holder



LED work light on  
crane boom



LED work light on  
crane pillar



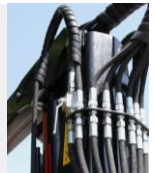
Supply pressure  
monometer



Connection of hydr.  
hoses on pillar



Shut-off valve for  
lifting cylinder



Valve block  
cover



## FTG BALTIC UAB

Dūmų st. 3 K20  
LT-11119 Vilnius, Lithuania  
+370 5 246 23 18  
[sales.vilnius@ftgforest.com](mailto:sales.vilnius@ftgforest.com)

By combining our Swedish heritage with constant innovation based on the needs of customers, we design forest trailers and cranes that impress by their consistently pleasant performance.

FTG Källefäll forest trailers can pass through challenging terrains and are robustly built to withstand tough conditions in the forest. Trailers' capacity varies from 2,5 to 12 tones. Our trailers can be supplemented with telescopic cranes, ranging from 4,2 to 9,4 meters reach. Källefäll cranes are strong, fast, and easy to operate. We also offer a wide range of timber grapples and other accessories to meet different needs.

For more information: [www.ftgforest.com](http://www.ftgforest.com)