

P82T

Discover the pleasure of performance



- Unique parallel movement
- Runs on low oil flow, 60-65% less than a traditional crane
- Easy to control, the crane tip moves in a straight line

Crane P82T

FTG Källefäll crane P82T provides a total reach up to 8.2 m and a 350 kg lifting capacity at the max reach.

Unique parallel movement that maintains the same lifting moment throughout the range. Only one cylinder is active for this movement.

Runs on low oil flow, 60–65% less than a traditional crane. This makes it possible to reduce the number of revolutions and improve fuel consumption and the environment.

Crane P82T comes standard with 4 ton rotator, FB260 grapple, rotator link with pending brake, mechanical control, 4 cylinder slewing motor. The forest crane has a

lifting moment of 48 kNm (gross) and a slewing torque of 15 kNm. There are numerous valve packages and accessories to choose from. Crane designed for versatile work applications:

- Forest trailers
- Chippers
- Log splitters
- Attachment to the tractor

P82T combined with FTG Källefäll forest trailers offers high reliability and efficiency. Demand for maintenance is quite low for high-quality components and tested designs.

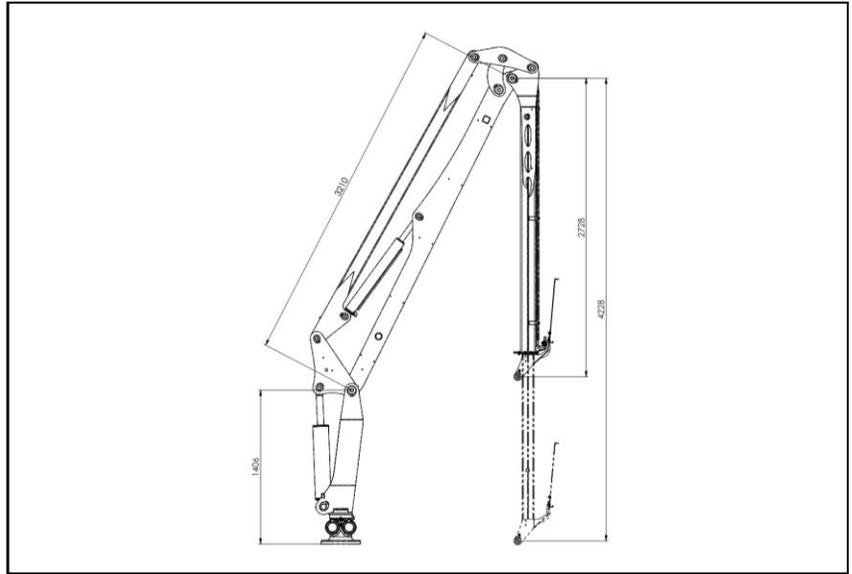
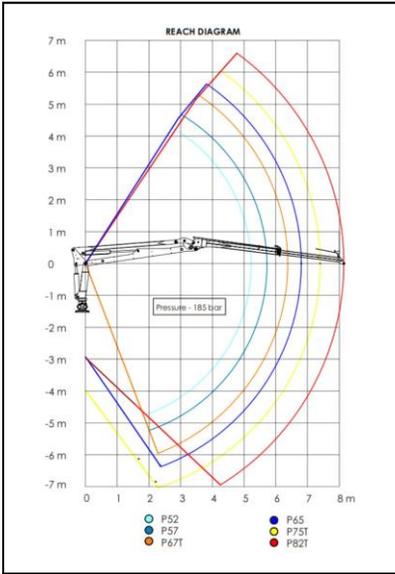
Suitable trailers:

- [FB120D](#)

Technical characteristics Crane (standard equipment)

<i>Parameter</i>	<i>P82T</i>	<i>Parameter</i>	<i>P82T</i>
Reach, m	8,2	Slewing angle, °	360
Linkage system	Yes	Total weight, kg	1060
Telescope extension, m	1,80	Oil flow, l/min	40–60
Lifting moment (gross), kNm	48	Rotator, type	4 t
Lifting moment (Net), kNm	35	Rotator link, type	With pending brake
Lifting capacity at max reach, kg	350	Grapple, type	FB260
Lifting capacity at 4m, kg	1000	Valve block, type	Mechanical (2–Lev. / 3–Coord.)
Slew torque, kNm	15	Working pressure, bar	185

Technical drawings



FB82T accessories

Control system

Mechanical
FRV60/8-E, 2 x EL.
On/Off



Mechanical 2-Lever,
Lightweight, 4 x EL.
On/Off



Prehydraulic
FRV60EO with
Joysticks



Full electric with
with ERGO-
DigiStick® Joysticks



Radio control
Scanreco®



Winch

1410 KPL with
remote control



3-P attachment

Flap-down type
frame, CAT. III



Independent hydr.
system for 3-P
attachment



Grapple

Grapple FB190WF
(0.19 m²)



Grapple FB210
(0.21 m²)



Brush grapple
FB210S (0.21 m²)



Clamshell bucket
KG180 (0.11 m³)



Grapple bucket
FB120V (0.12 m³)



Add-on bucket
for grapple



Other accessories

Chainsaw holder



LED work light on
crane boom



LED work light on
crane pillar



Supply pressure
monometer



Connection of hydr.
hoses on pillar



Shut-off valve for
lifting cylinder



Valve block
cover



FTG BALTIC UAB

Dūmų st. 3 K20
LT-11119 Vilnius, Lithuania
+370 5 246 23 18
sales.vilnius@ftgforest.com

For more information: www.ftgforest.com

By combining our Swedish heritage with constant innovation based on the needs of customers, we design forest trailers and cranes that impress by their consistently pleasant performance.

FTG Källefäll forest trailers can pass through challenging terrains and are robustly built to withstand tough conditions in the forest. Trailers' capacity varies from 2,5 to 12 tones. Our trailers can be supplemented with telescopic cranes, ranging from 4,2 to 9,4 meters reach. Källefäll cranes are strong, fast, and easy to operate. We also offer a wide range of timber grapples and other accessories to meet different needs.