

FB30D

Discover the pleasure of performance



- Max. permitted weight 5 000 kg
- Maximum loading length 3,2 m
- Crane with a maximum reach of 4,7m

Trailer FB25D

FTG Källefäll forest trailer FB30D has a loading capacity of 3 000 kg and a permissible total weight of 5 000 kg.

FB30D is a compact forestry trailer with a crane range from 4.2m to 4.7m of reach. It is suitable for transporting firewood, pulpwood and other logs.

FB25D single-axle trailer has a double beam frame, stable protective gates, rigid drawbar without steering (top or bottom hitch), telescopic supports legs with internal cylinders, valve block holder, protective plate for tires, eyelets for tension belt, 2 stake holders at the rear

for cross loading, integrated LED rear lights, plywood floor lining, 4 pairs of bunks with 8 straight stakes and tires 11.5/80-15.3 with grooved profile and valve protection.

To meet the specific needs of each user and to expand the areas of use, FB30D trailers have a wide range of options and accessories.

FB30D combined with FTG Källefäll forestry crane offers high reliability and efficiency.

Suitable cranes:

- [FB42L](#)
- [FB47L](#)

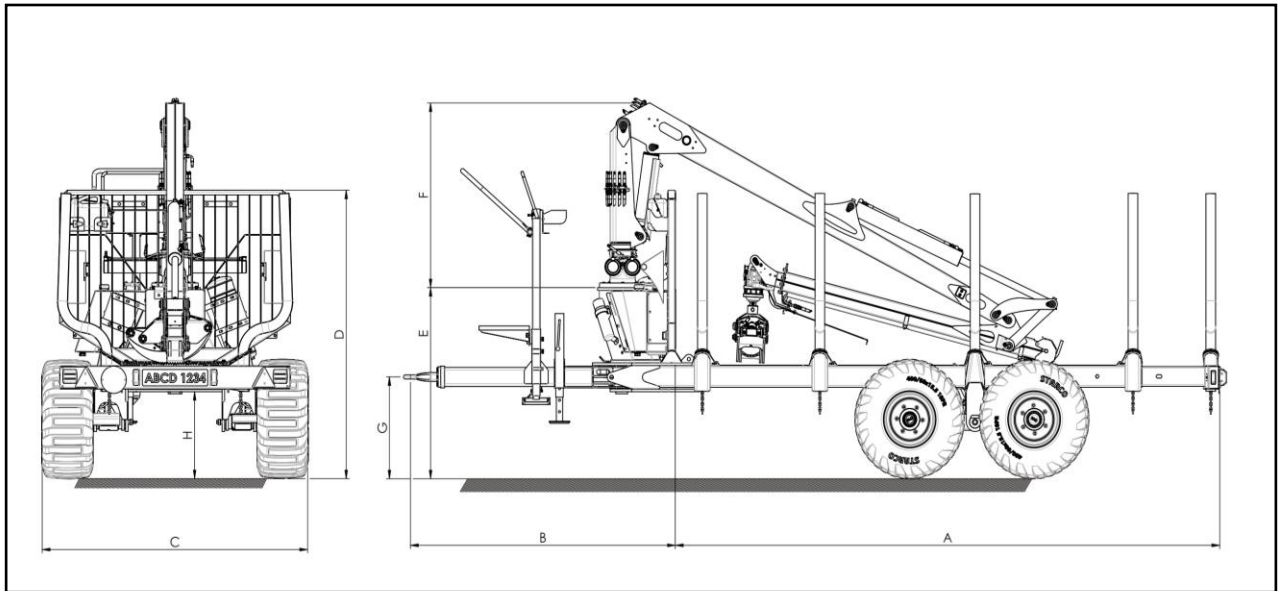
Technical characteristics

Trailer with standard equipment

<i>Parameter</i>	<i>FB30D</i>	<i>Parameter</i>	<i>FB30D</i>
Permitted weight*, kg	5 000	Wheels	11.5/80-15.3
Loading capacity, kg	3 000	Hydr. drawbar steering	-
Load area, m ²	0,9	Hydr. support legs	Telescopic
Weight,*, kg	1 000	Bunks	4
Load length, m	3,2	Stakes	8
Frame, mm	140x60		

* Weights may vary depending on the equipment and brakes

Technical drawings



<i>Trailer</i>	<i>Crane</i>	<i>Wheels</i>	<i>A</i>	<i>B</i>	<i>C</i>	<i>D</i>	<i>E</i>	<i>F</i>	<i>G</i>	<i>H</i>
FB30D	FB42L	11.5/80-15.3	3297	1744	2010	1346	630	1220	377-773	478
	FB47L		3297	1744	2010	1346	630	1280	377-773	478

* Dimensions may vary depending on the equipment



FB30D accessories

Independent hydraulic system



Parking leg/wheel



Shoes for telescopic support legs



Fuel tank holder with tank



Wheel support set



Block valve for telescopic support legs



Insert plates



Brake options

- Hydraulic brakes
- Hand lever brakes
- Overrun brakes



FTG BALTIC UAB

Dūmų st. 3 K20
LT-11119 Vilnius, Lithuania
+370 5 246 23 18
sales.vilnius@ftgforest.com

By combining our Swedish heritage with constant innovation based on the needs of customers, we design forest trailers and cranes that impress by their consistently pleasant performance.

FTG Källefäll forest trailers can pass through challenging terrains and are robustly built to withstand tough conditions in the forest. Trailers' capacity varies from 3 to 12 tones. Our trailers can be supplemented with telescopic cranes, ranging from 4,2 to 9,4 meters reach. Källefäll cranes are strong, fast, and easy to operate. We also offer a wide range of timber grapples and other accessories to meet different needs.

For more information: www.ftgforest.com